



# 2-Way Angle Milling Vise



# VERTEX®

TW PAT.

MECHANICAL TYPE

**NEW**

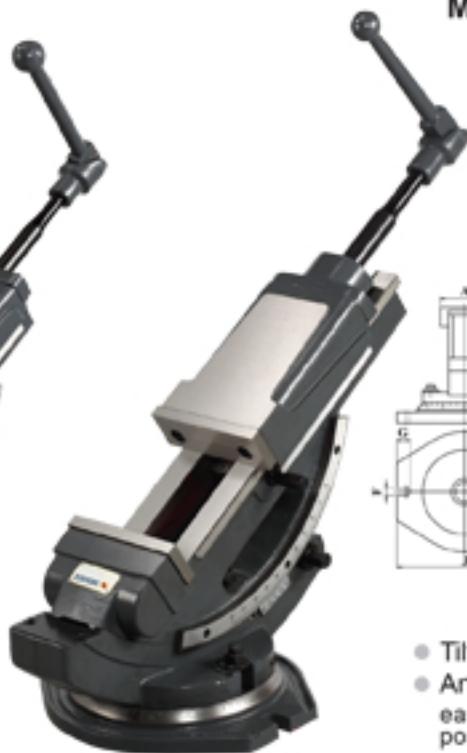
SUPER OPEN CAPACITY:

VWT-4B JAW OPENED 220mm

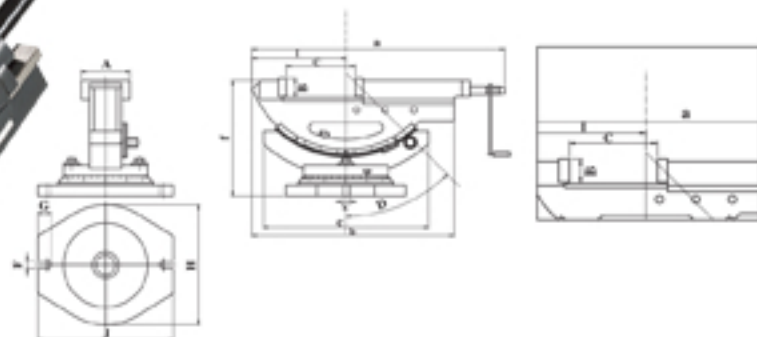
VWT-6B JAW OPENED 350mm



VWT-4B



VWT-6B



- Tilting seat set by two locking screws, works in high stability.
- Angle setting ranges from 0°~50°. Tilting degrees graduated for easy reading. Swivel base graduated to 360° and fixable in any position.



## Order No. & Dimensions

ORDER NO.	A	B	C OPEN	D	E	F	G	H	I	J	a	b	c	f	Max. Clamp Force (kgf)	G.W. (kgs)	Meas CFT	CODE NO.
VWT-4B	110	36	220	50°	15	15	26	240	185	270	500	404	335	230	1200	(C) 33.3	1.2	1002-060B
VWT-6B	152	54	350	50°	20	19	28	300	246	330	800	585	415	290	1600	(W) 79.7	4.4	1002-061B